

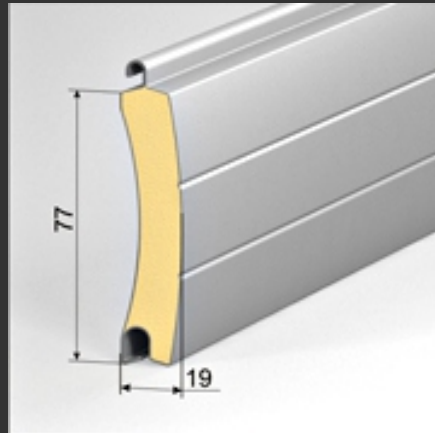
birkdale 

BD77



Commercial Insulated  
Roller Shutter Door

## Profile Specification



BD77 is a double skin profile roll-formed from a single pre-coloured aluminium section with a hot injection polyurethane central core, this bonds to the internal face of the section giving additional strength and rigidity.

The BD77 profile also has a short throw reinforced quirk which interlocks each profile to form a continuous door curtain.

A reinforced carrier strip connects the 20mm deep base seal to the bottom rail, eliminating draughts and debris from passing under the closed door.

Steel wind lock anchors ensure the BD77 continues to perform up to 1250 Pascals required for level 5 wind loading tests.

## Guide Section



The guide sections are extruded 90mm x 3mm aluminium complete with wind lock recess, neoprene brush seals internally and externally.

Wind locks are fitted as standard.

## Pivo-Glide Mounting Kit



The BD Pivo-Glide kit comprises of a pair of 5mm thickness galvanised head plates from 360mm square with moving Pivo-Glide brackets ensuring vertical guide entry at all times to give a smooth trouble free operation.

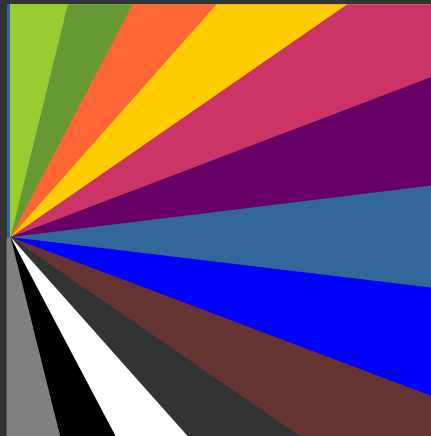
## Motor and Controls



Single phase tubular motor with manual override via a crank handle is supplied as standard.

A safety anti-drop brake is also fitted to comply with BS13241-1 regulations.

## Colours



The profiles are white as standard with an external coating with a choice of multiple Renolit colours. If BS/RAL colours are required then this can be achieved with powdercoating.

**birkdale** 

[www.birkdale.co.uk](http://www.birkdale.co.uk)

Unit 5, Eastgate Park, Arkwright Way  
Queensway Industrial Estate  
Scunthorpe  
North Lincolnshire  
DN16 1AE

☎ 01724 282 171

☎ 01724 282 170

✉ [sales@birkdale.co.uk](mailto:sales@birkdale.co.uk)